


## TUBE AXIAL FAN



Sr.no	Model no.	Fan Diameter		Motor Power	Speed	Air volume
		inch	MM	in H.P	RPM	CFM
1	<u>KI-AF-500</u>	20	500	1	1440	5000
2	KI-AF-600	24	600	1	1440	7000
3	KI-AF-700	28	700	2	1440	11000
4	KI-AF-750	30	750	2	1440	11000
5	KI-AF-800	32	800	3	1440	16000
6	KI-AF-900	36	900	3	1440	18000
7	KI-AF-1000	40	1000	5	1440	22000
8	KI-AF-1200	48	1200	7.5	960	32000

 **Factory Address:**  
 74B ,75A ,76/1 ,77/1 ,78/1, 79/1, 79-A/1  
 Govindpura Industrial Area, Bhopal (M.P).  
 Pin - 462023.



**Get in Touch :**  
 +918827491481, +917010430133  
 sunil@kumaranindustries.com,  
 sales@kumaranindustries.com.

# Axial Fan KI-AXF-

## 500 General Characteristic

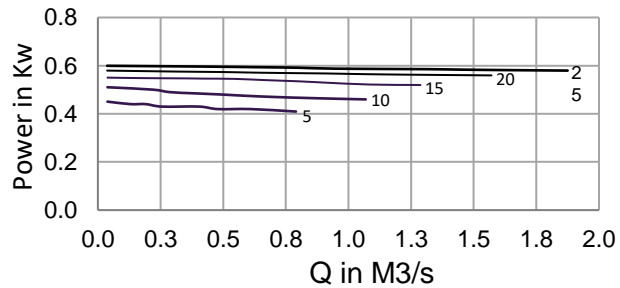
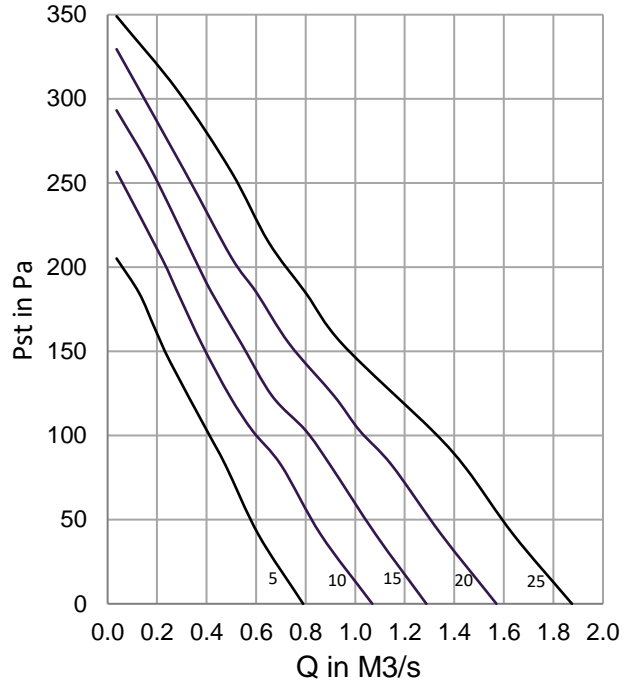
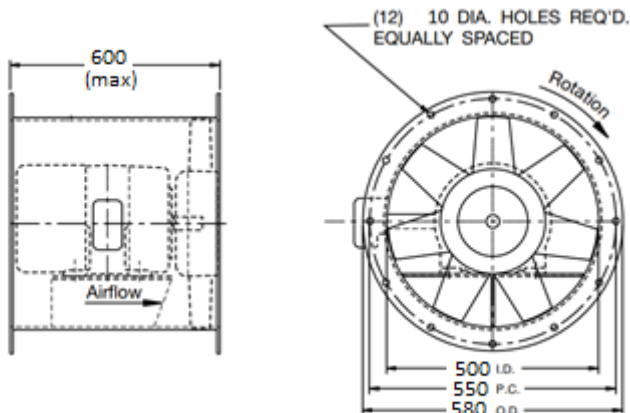


KUMARAN ENGINEERING BHOPAL PVT. LTD.



<b>Motor type:</b>	TEFC 50Hz IP55 as std , IP65 available
<b>Nominal supply :</b>	415V, 3P, 50Hz,1500 RPM
<b>Accessories:</b>	Inlet & discharge mesh, Mounting Supports
<b>Materials:</b>	Fan case: Mild steel Impellers: Cast Aluminum Alloy
<b>Finish:</b>	Powder coat , Epoxy Paint
<b>Mounting options:</b>	Vertical / Horizontal mounted
<b>Noise Levels:</b>	84dB(A) Free Air, 1M
<b>Weight:</b>	... kg.
<b>Motor Variations:</b>	Other voltage and frequency available on order.
<b>Balancing:</b>	G6.3 as per ISO:1940

Motor dimensions for 60Hz operation may vary]



**Please note:**

- 1 - All drawing measurements are in millimeters (mm).
- 2 - Above technical specifications are subject to change.
- 3 - Images used may not be representative of the fan supplied.

**KUMARAN ENGINEERING BHOPAL PVT. LTD.**

Plot no. – 76-/1, Sector A Industrial Area  
Govindpura Bhopal (M.P). Pin –462023

t: +91- 7010430133.

e: [sales@kumaranindustries.com](mailto:sales@kumaranindustries.com)

w: [www.kumaranindustries.com](http://www.kumaranindustries.com)

# Axial Fan KI-AXF-

## 600 General Characteristic

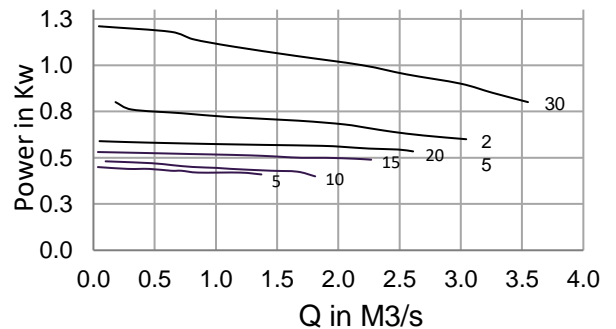
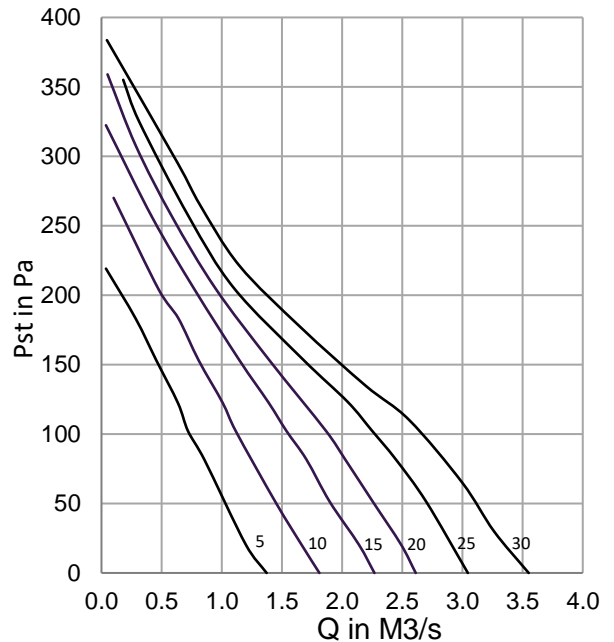
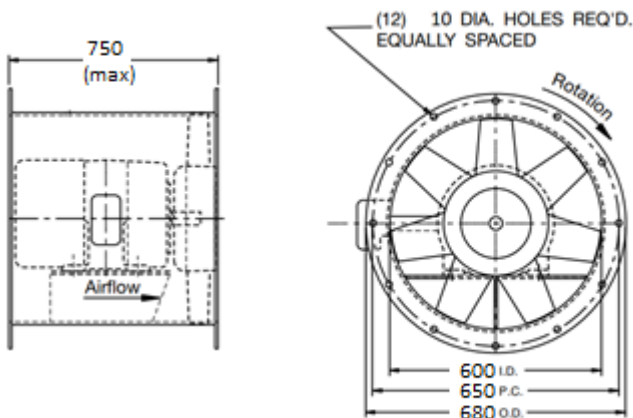


KUMARAN ENGINEERING BHOPAL PVT. LTD.



<b>Motor type:</b>	TEFC 50Hz IP55 as std , IP65 available
<b>Nominal supply :</b>	415V, 3P, 50Hz,1500 RPM
<b>Accessories:</b>	Inlet & discharge mesh, Mounting Supports
<b>Materials:</b>	Fan case: Mild steel Impellers: Cast Aluminum Alloy
<b>Finish:</b>	Powder coat , Epoxy Paint
<b>Mounting options:</b>	Vertical / Horizontal mounted
<b>Noise Levels:</b>	84dB(A) Free Air, 1M
<b>Weight:</b>	... kg.
<b>Motor Variations:</b>	Other voltage and frequency available on order.
<b>Balancing:</b>	G6.3 as per ISO:1940

Motor dimensions for 60Hz operation may vary]



**Please note:**

- 1 - All drawing measurements are in millimeters (mm).
- 2 - Above technical specifications are subject to change.
- 3 - Images used may not be representative of the fan supplied.

**KUMARAN ENGINEERING BHOPAL PVT. LTD.**

Plot no. – 76-/1, Sector A Industrial Area  
Govindpura Bhopal (M.P). Pin –462023

t: +91- 7010430133.

e: [sales@kumaranindustries.com](mailto:sales@kumaranindustries.com)

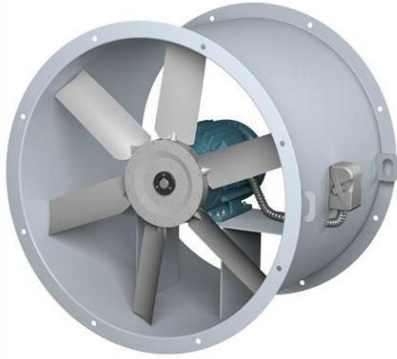
w: [www.kumaranindustries.com](http://www.kumaranindustries.com)

# Axial Fan KI-AXF-

## 700 General Characteristic

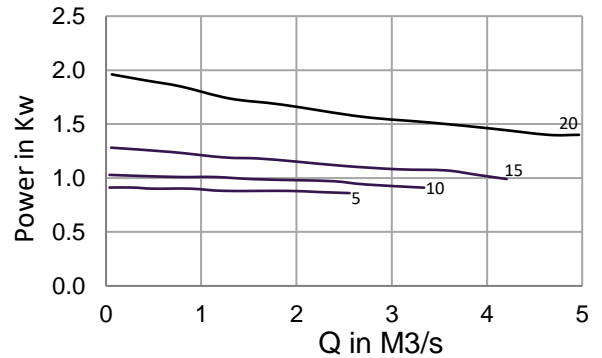
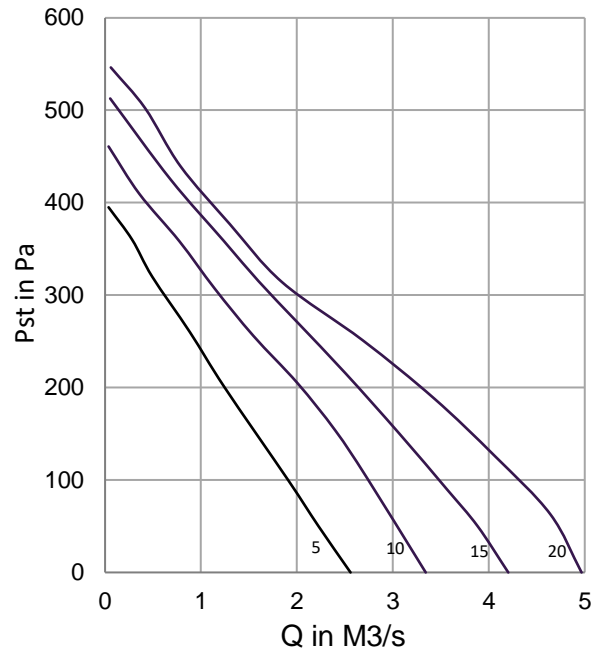
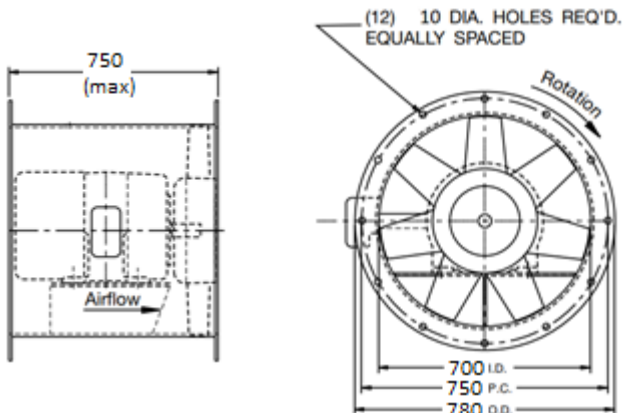


KUMARAN ENGINEERING BHOPAL PVT. LTD.



<b>Motor type:</b>	TEFC 50Hz IP55 as std , IP65 available
<b>Nominal supply :</b>	415V, 3P, 50Hz,1500 RPM
<b>Accessories:</b>	Inlet & discharge mesh, Mounting Supports
<b>Materials:</b>	Fan case: Mild steel Impellers: Cast Aluminum Alloy
<b>Finish:</b>	Powder coat , Epoxy Paint
<b>Mounting options:</b>	Vertical / Horizontal mounted
<b>Noise Levels:</b>	84dB(A) Free Air, 1M
<b>Weight:</b>	... kg.
<b>Motor Variations:</b>	Other voltage and frequency available on order.
<b>Balancing:</b>	G6.3 as per ISO:1940

Motor dimensions for 60Hz operation may vary]



### Please note:

- 1 - All drawing measurements are in millimeters (mm).
- 2 - Above technical specifications are subject to change.
- 3 - Images used may not be representative of the fan supplied.

KUMARAN ENGINEERING BHOPAL PVT. LTD.

Plot no. – 76-/1, Sector A Industrial Area  
Govindpura Bhopal (M.P). Pin –462023

t: +91- 7010430133.

e: [sales@kumaranindustries.com](mailto:sales@kumaranindustries.com)

w: [www.kumaranindustries.com](http://www.kumaranindustries.com)

# Axial Fan KI-AXF-

## 750 General Characteristic

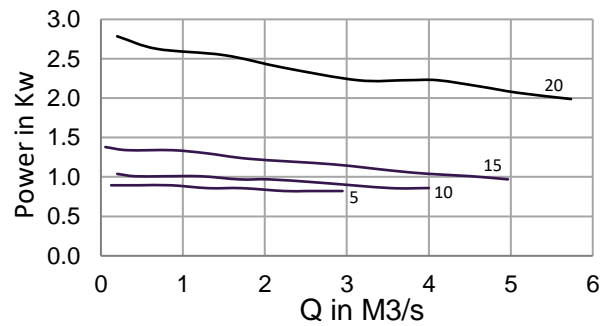
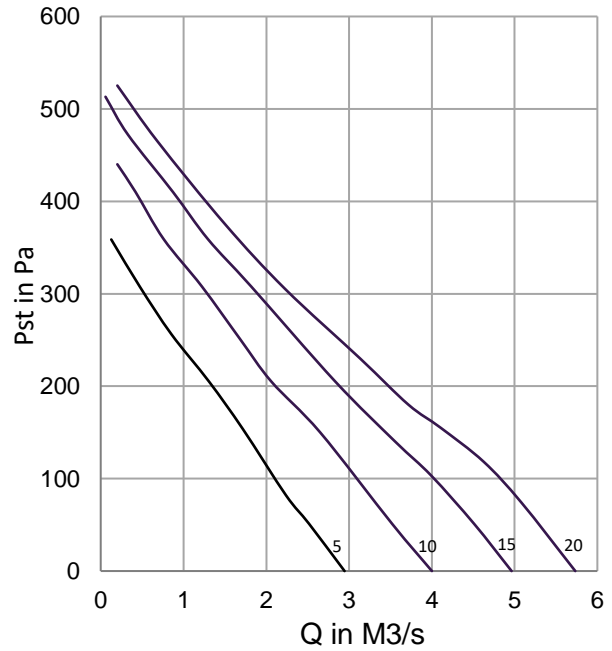
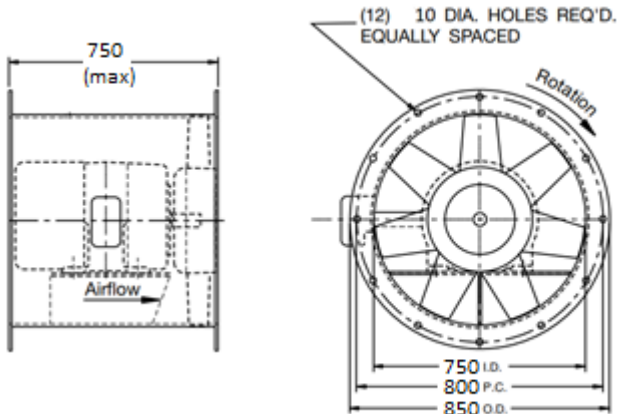


KUMARAN ENGINEERING BHOPAL PVT. LTD.



<b>Motor type:</b>	TEFC 50Hz IP55 as std , IP65 available
<b>Nominal supply :</b>	415V, 3P, 50Hz,1500 RPM
<b>Accessories:</b>	Inlet & discharge mesh, Mounting Supports
<b>Materials:</b>	Fan case: Mild steel Impellers: Cast Aluminum Alloy
<b>Finish:</b>	Powder coat , Epoxy Paint
<b>Mounting options:</b>	Vertical / Horizontal mounted
<b>Noise Levels:</b>	84dB(A) Free Air, 1M
<b>Weight:</b>	... kg.
<b>Motor Variations:</b>	Other voltage and frequency available on order.
<b>Balancing:</b>	G6.3 as per ISO:1940

Motor dimensions for 60Hz operation may vary]



**Please note:**

- 1 - All drawing measurements are in millimeters (mm).
- 2 - Above technical specifications are subject to change.
- 3 - Images used may not be representative of the fan supplied.

**KUMARAN ENGINEERING BHOPAL PVT. LTD.**

Plot no. – 76-/1, Sector A Industrial Area  
Govindpura Bhopal (M.P). Pin –462023

t: +91- 7010430133.

e: [sales@kumaranindustries.com](mailto:sales@kumaranindustries.com)

w: [www.kumaranindustries.com](http://www.kumaranindustries.com)

# Axial Fan KI-AXF-

## General Characteristic

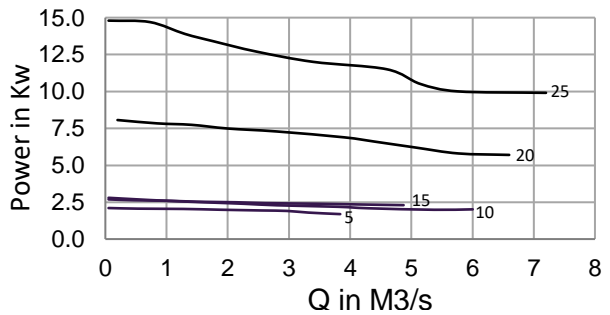
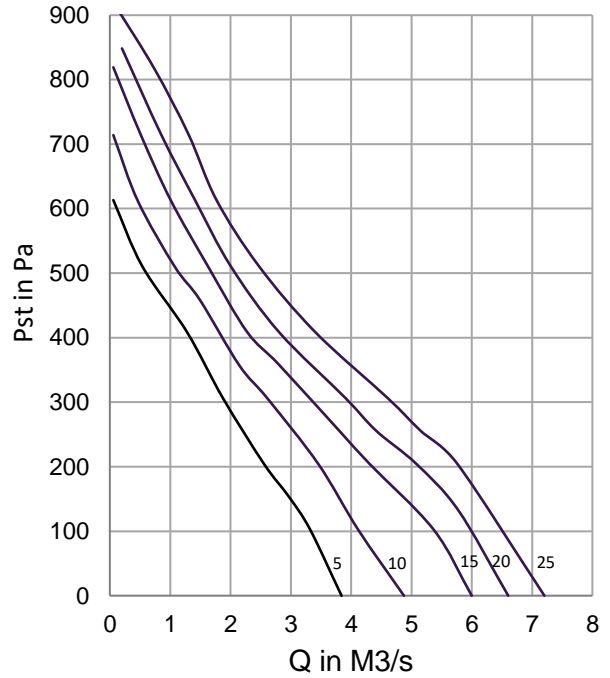
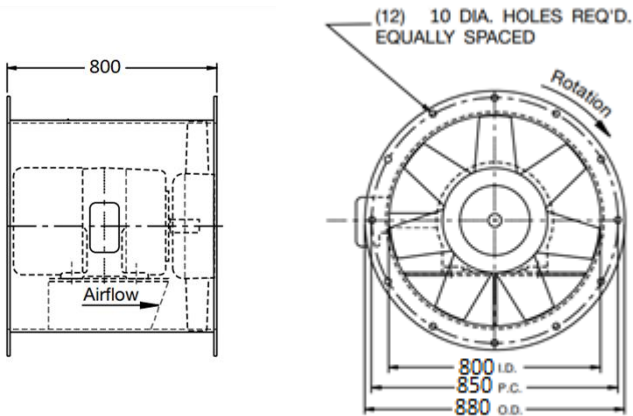


KUMARAN ENGINEERING BHOPAL PVT. LTD.



<b>Motor type:</b>	TEFC 50Hz IP55 as std , IP65 available
<b>Nominal supply :</b>	415V, 3P, 50Hz,1500 RPM
<b>Accessories:</b>	Inlet & discharge mesh, Mounting Supports
<b>Materials:</b>	Fan case: Mild steel Impellers: Cast Aluminum Alloy
<b>Finish:</b>	Powder coat , Epoxy Paint
<b>Mounting options:</b>	Vertical / Horizontal mounted
<b>Noise Levels:</b>	84dB(A) Free Air, 1M
<b>Weight:</b>	... kg.
<b>Motor Variations:</b>	Other voltage and frequency available on order.
<b>Balancing:</b>	G6.3 as per ISO:1940

Motor dimensions for 60Hz operation may vary]



**Please note:**

- 1 - All drawing measurements are in millimeters (mm).
- 2 - Above technical specifications are subject to change.
- 3 - Images used may not be representative of the fan supplied.

**KUMARAN ENGINEERING BHOPAL PVT. LTD.**

Plot no. – 76-/1, Sector A Industrial Area  
Govindpura Bhopal (M.P). Pin –462023

t: +91- 7010430133.

e: [sales@kumaranindustries.com](mailto:sales@kumaranindustries.com)

w: [www.kumaranindustries.com](http://www.kumaranindustries.com)

# Axial Fan KI-AXF-

## General Characteristic

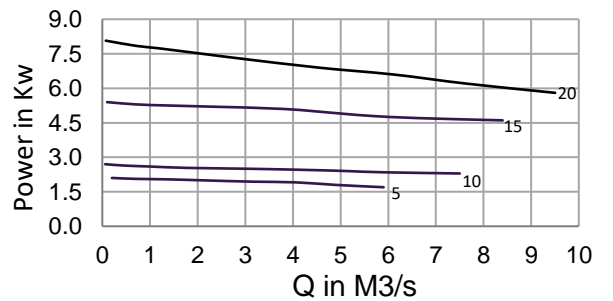
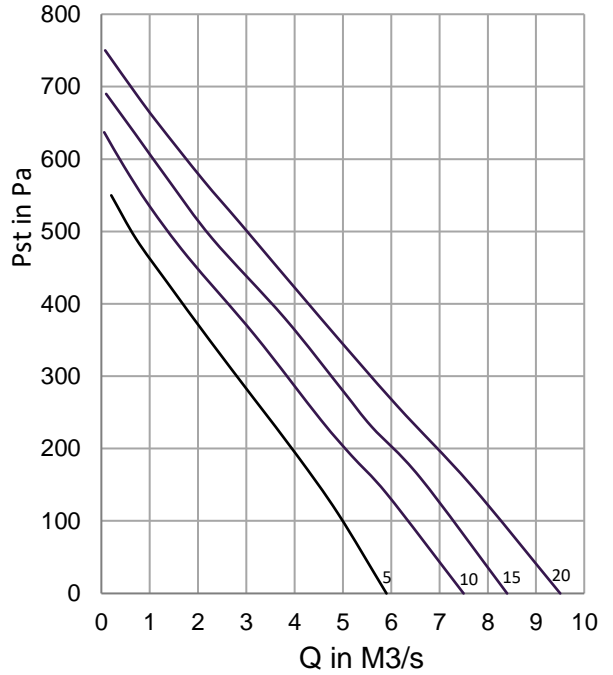
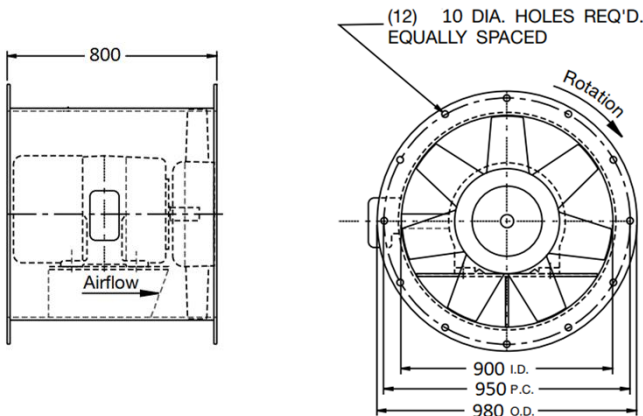


KUMARAN ENGINEERING BHOPAL PVT. LTD.



<b>Motor type:</b>	TEFC 50Hz IP55 as std , IP65 available
<b>Nominal supply :</b>	415V, 3P, 50Hz,1500 RPM
<b>Accessories:</b>	Inlet & discharge mesh, Mounting Supports
<b>Materials:</b>	Fan case: Mild steel Impellers: Cast Aluminum Alloy
<b>Finish:</b>	Powder coat , Epoxy Paint
<b>Mounting options:</b>	Vertical / Horizontal mounted
<b>Noise Levels:</b>	84dB(A) Free Air, 1M
<b>Weight:</b>	.... kg.
<b>Motor Variations:</b>	Other voltage and frequency available on order.
<b>Balancing:</b>	G6.3 as per ISO:1940

Motor dimensions for 60Hz operation may vary]



### Please note:

- 1 - All drawing measurements are in millimeters (mm).
- 2 - Above technical specifications are subject to change.
- 3 - Images used may not be representative of the fan supplied.

**KUMARAN ENGINEERING BHOPAL PVT. LTD.**

Plot no. – 76-/1, Sector A Industrial Area  
Govindpura Bhopal (M.P). Pin –462023

t: +91- 7010430133.

e: [sales@kumaranindustries.com](mailto:sales@kumaranindustries.com)

w: [www.kumaranindustries.com](http://www.kumaranindustries.com)



# Axial Fan KI-AXF-

## 1000 General Characteristic



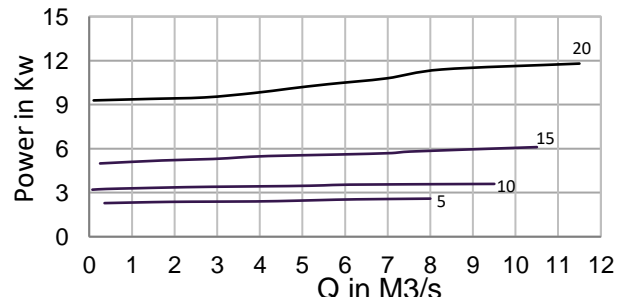
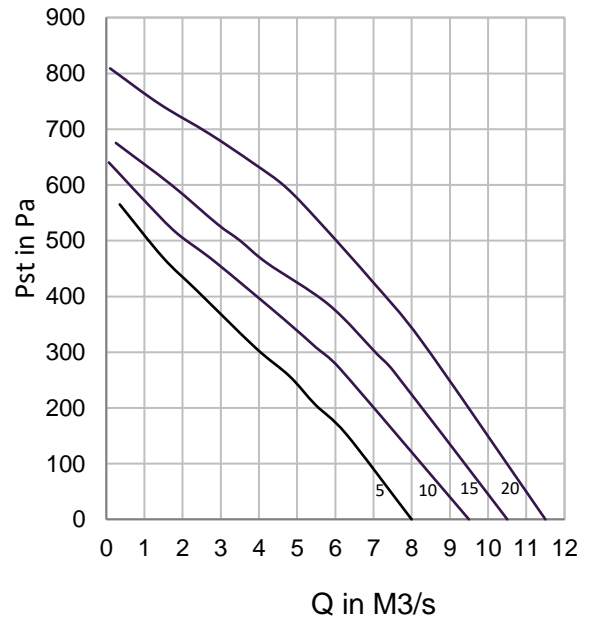
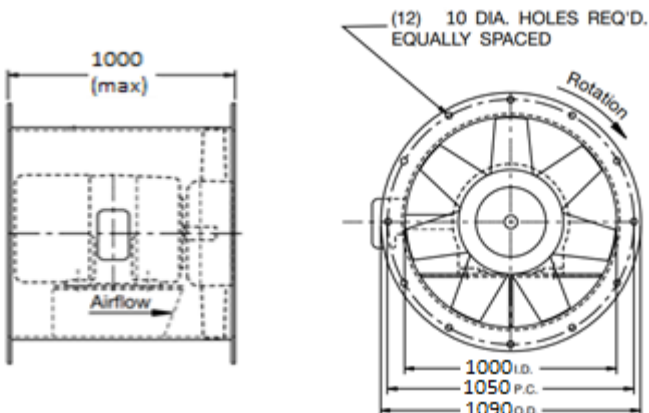
KUMARAN ENGINEERING BHOPAL PVT. LTD.



<b>Motor type:</b>	TEFC 50Hz IP55 as std , IP65 available
<b>Nominal supply :</b>	415V, 3P, 50Hz, 1500 RPM
<b>Accessories:</b>	Inlet & discharge mesh, Mounting Supports
<b>Materials:</b>	Fan case: Mild steel Impellers: Cast Aluminum Alloy
<b>Finish:</b>	Powder coat , Epoxy Paint
<b>Mounting options:</b>	Vertical / Horizontal mounted
<b>Noise Levels:</b>	84dB(A) Free Air, 1M
<b>Weight:</b>	... kg.
<b>Motor Variations:</b>	Other voltage and frequency available on order.
<b>Balancing:</b>	G6.3 as per ISO:1940

### Outline Dimensions:

[Note: Motor shown is for 50Hz Performance,  
Motor dimensions for 60Hz operation may vary]



### Please note:

- 1 - All drawing measurements are in millimeters (mm).
- 2 - Above technical specifications are subject to change.
- 3 - Images used may not be representative of the fan supplied.

KUMARAN ENGINEERING BHOPAL PVT. LTD.

Plot no. – 76-/1, Sector A Industrial Area  
Govindpura Bhopal (M.P). Pin –462023

t: +91- 7010430133.

e: [sales@kumaranindustries.com](mailto:sales@kumaranindustries.com)

w: [www.kumaranindustries.com](http://www.kumaranindustries.com)