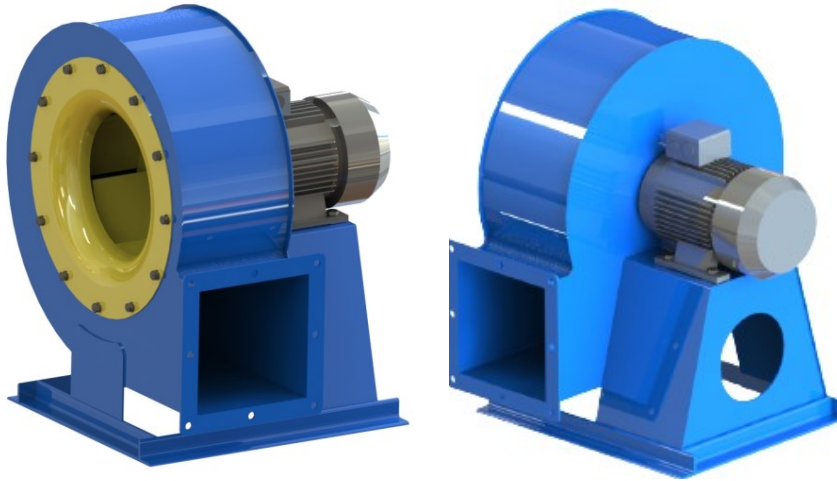


Centrifugal Fan KI-BC-250-HDD2-A

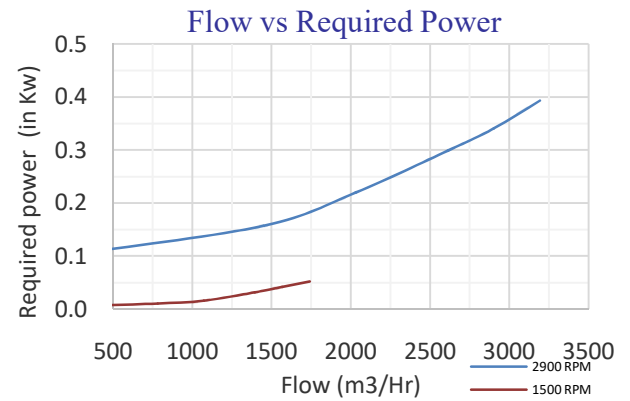
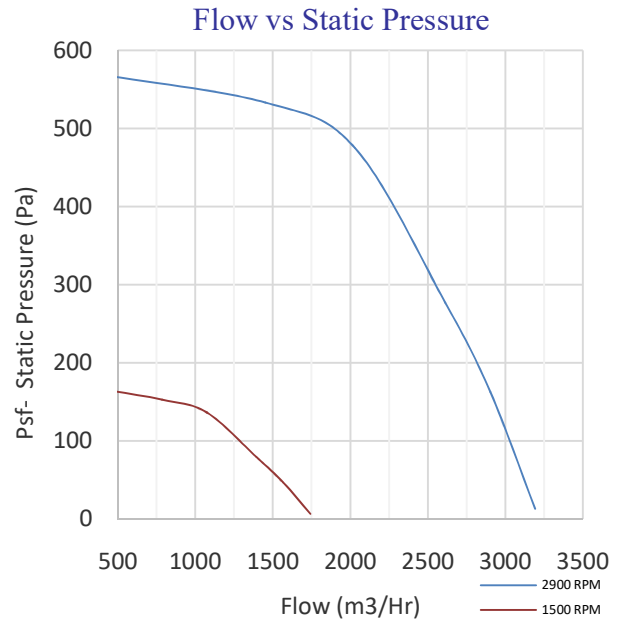
Single Inlet Fan

General Characteristic



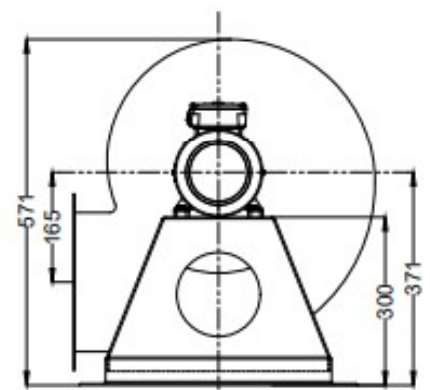
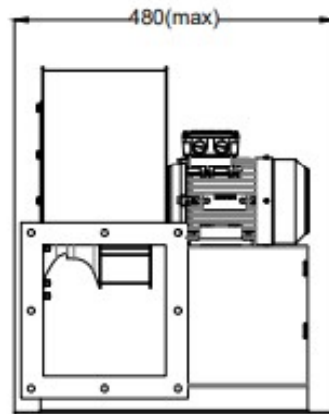
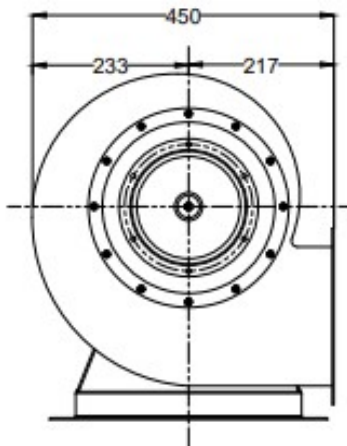
KUMARAN ENGINEERING BHOPAL PVT. LTD.

Nominal supply:	3P ,415V , 50Hz
Motor type:	TEFC 50Hz , IP55 as Std , Insulation class F , S1 Duty.
Accessories:	Inlet & discharge mesh, Inlet Filters,
Materials:	Fan case: Mild steel Impellers: Steel , Stainless steel ,Aluminum.
Finish:	Powder Coat , Epoxy Paint
Mounting options:	Foot mounted
Noise Levels:	84 dB(A) Free Air, 1M
Motor Variations:	Other voltage and frequency available on order.
Balancing:	G6.3 as per ISO:1940.

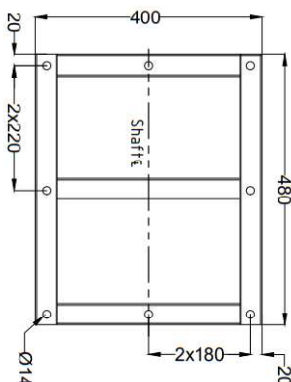


Outline Dimensions:

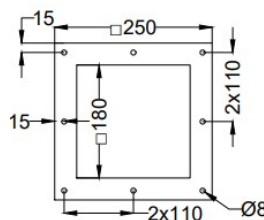
[Note: Motor shown is for 50Hz Performance, Motor dimensions for 60Hz operation may vary]



Back View



Foundation Plan



Outlet Flange



Please note:

- 1 - All drawing measurements are in millimeters (mm).
- 2 - Above technical specifications are subject to change.
- 3 - Images used may not be representative of the fan supplied.

KUMARAN ENGINEERING BHOPAL PVT. LTD.

Plot no. - 76-/1, Sector A Industrial Area
Govindpura Bhopal (M.P). Pin -462023

t: +91- 7010430133.

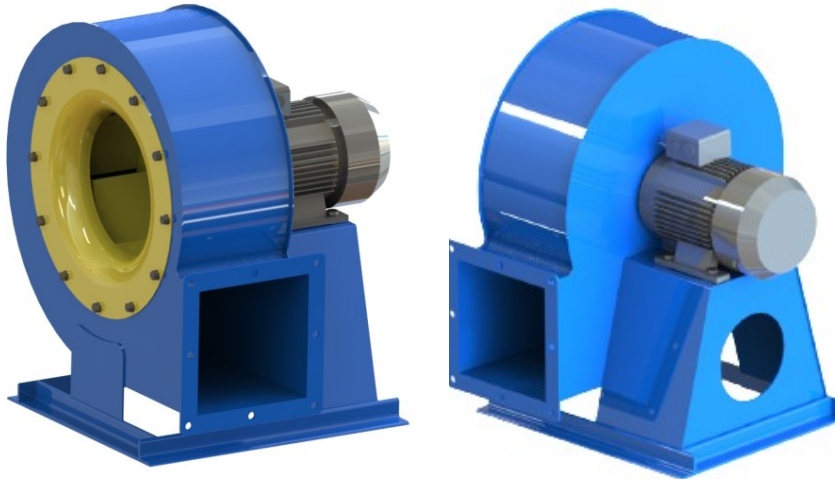
e: sales@kumaranindustries.com

w: www.kumaranindustries.com

Centrifugal Fan KI-BC-300-HDD2-A

Single Inlet Fan

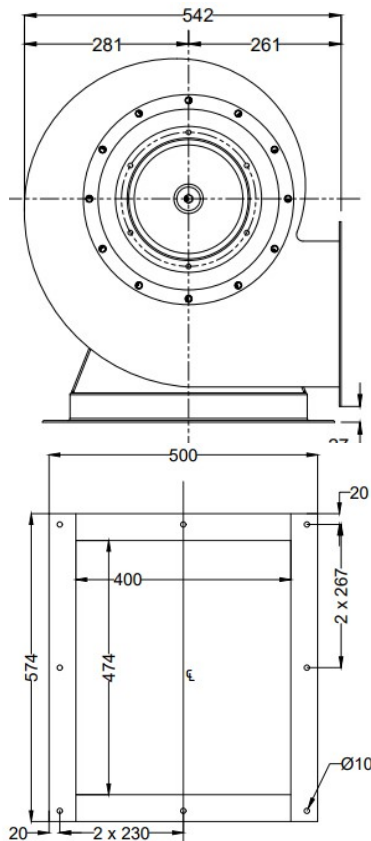
General Characteristic



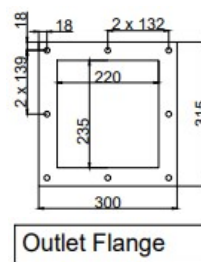
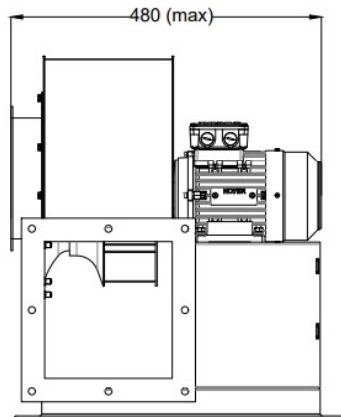
Nominal supply:	3P, 415V, 50Hz
Motor type:	TEFC 50Hz, IP55 as Std, Insulation class F, S1 Duty.
Accessories:	Inlet & discharge mesh, Inlet Filters,
Materials:	Fan case: Mild steel Impellers: Steel, Stainless steel, Aluminum.
Finish:	Powder Coat, Epoxy Paint
Mounting options:	Foot mounted
Noise Levels:	84 dB(A) Free Air, 1M
Motor Variations:	Other voltage and frequency available on order.
Balancing:	G6.3 as per ISO:1940.

Outline Dimensions:

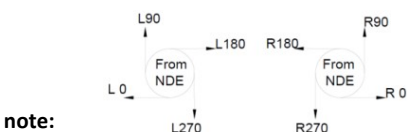
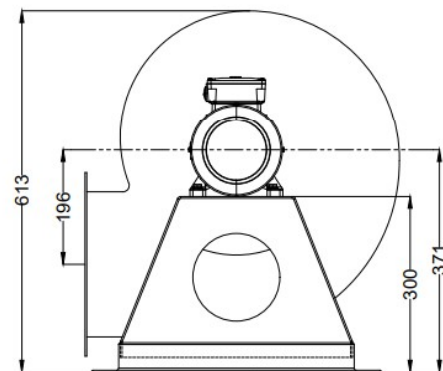
[Note: Motor shown is for 50Hz Performance, Motor dimensions for 60Hz operation may vary]



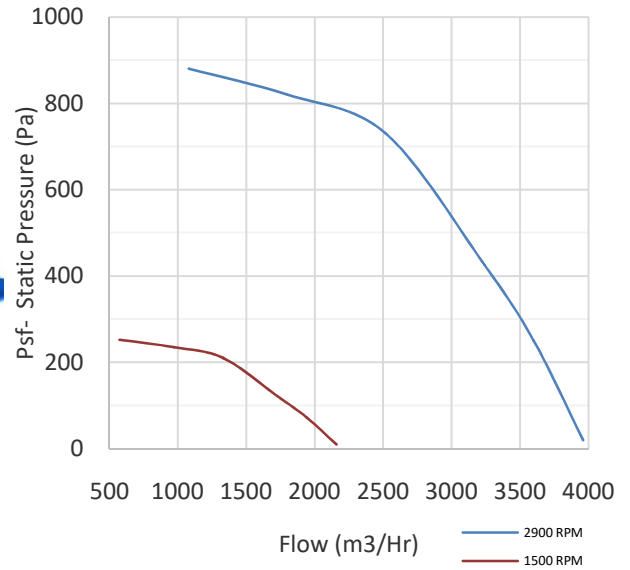
Foundation Plan



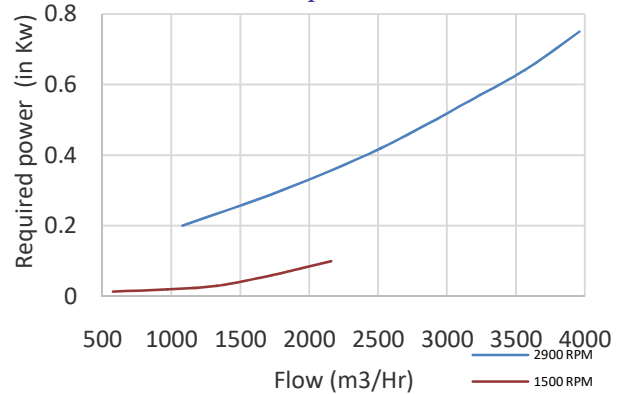
Outlet Flange



Flow vs Static Pressure



Flow vs Required Power



Please note:

- 1 - All drawing measurements are in millimeters (mm).
- 2 - Above technical specifications are subject to change.
- 3 - Images used may not be representative of the fan supplied.

KUMARAN ENGINEERING BHOPAL PVT. LTD.

Plot no. - 76-1, Sector A Industrial Area
Govindpura Bhopal (M.P.) Pin -462023

t: +91- 7010430133.

e: sales@kumaranindustries.com

w: www.kumaranindustries.com

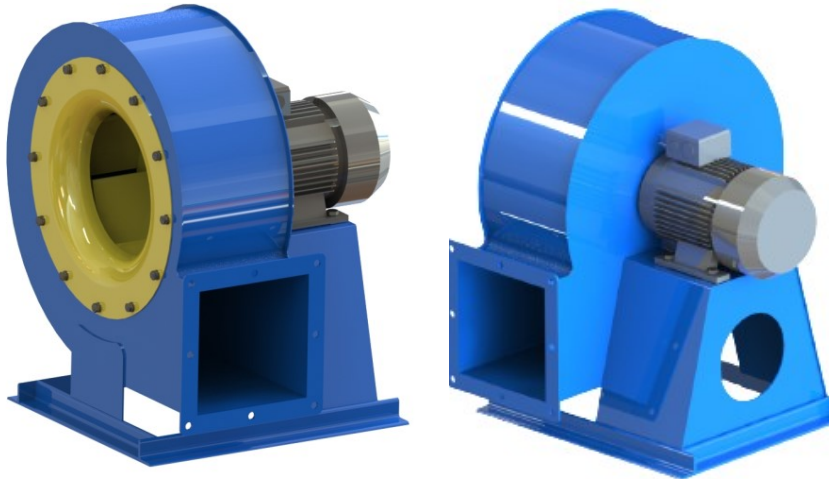
Centrifugal Fan KI-BC-350-HDD2-A

Single Inlet Fan

General Characteristic



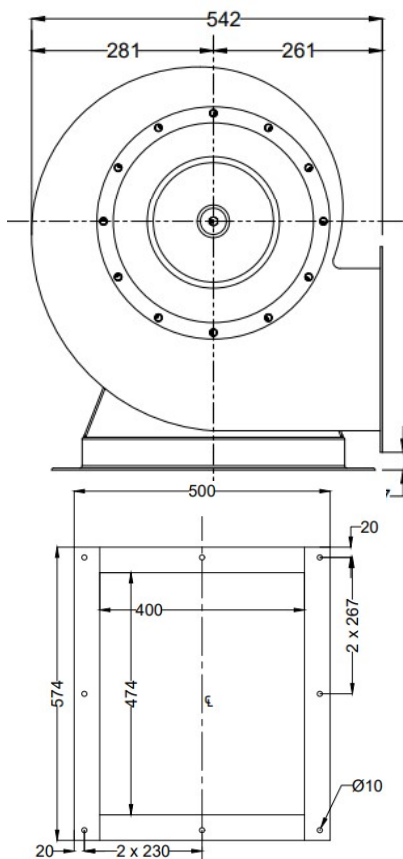
KUMARAN ENGINEERING BHOPAL PVT. LTD.



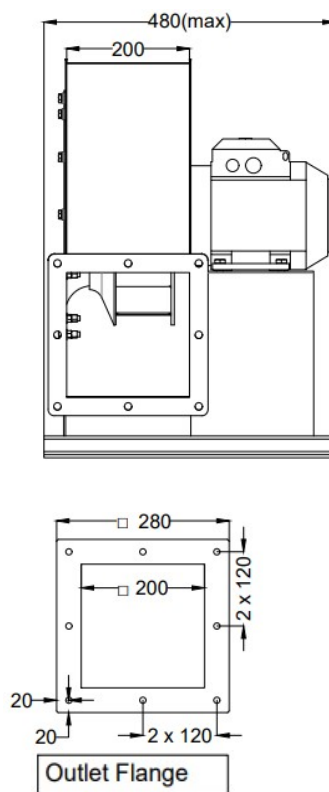
Nominal supply:	3P ,415V , 50Hz
Motor type:	TEFC 50Hz , IP55 as Std , Insulation class F , S1 Duty.
Accessories:	Inlet & discharge mesh, Inlet Filters,
Materials:	Fan case: Mild steel Impellers: Steel , Stainless steel ,Aluminum.
Finish:	Powder Coat , Epoxy Paint
Mounting options:	Foot mounted
Noise Levels:	84 dB(A) Free Air, 1M
Motor Variations:	Other voltage and frequency available on order.
Balancing:	G6.3 as per ISO:1940.

Outline Dimensions:

[Note: Motor shown is for 50Hz Performance, Motor dimensions for 60Hz operation may vary]

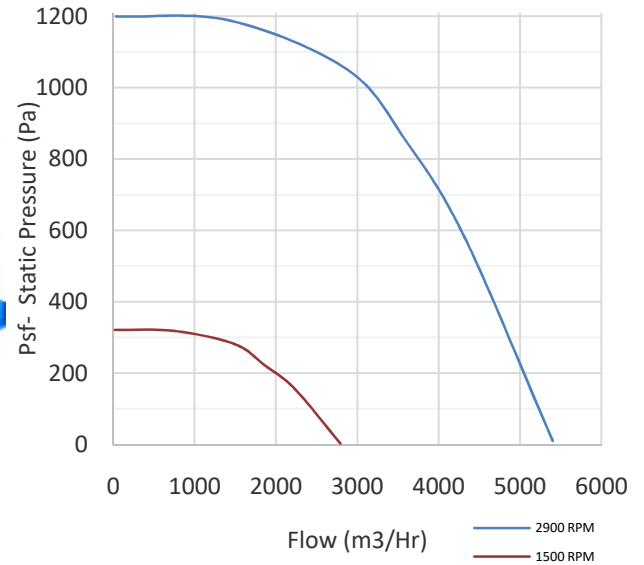


Foundation Plan

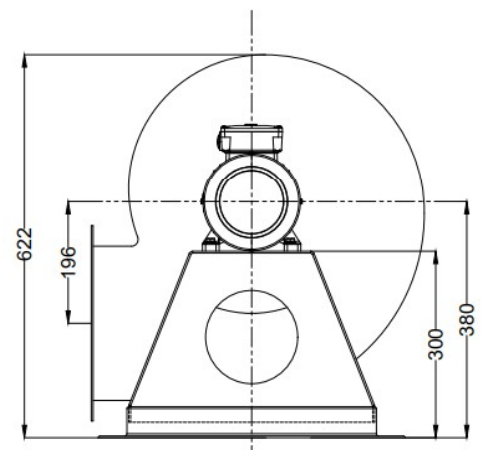
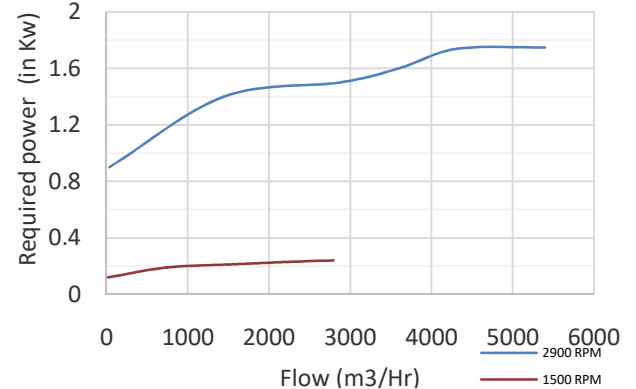


Outlet Flange

Flow vs Static Pressure



Flow vs Required Power



Please note:

- 1 - All drawing measurements are in millimeters (mm).
- 2 - Above technical specifications are subject to change.
- 3 - Images used may not be representative of the fan supplied.

KUMARAN ENGINEERING BHOPAL PVT. LTD.

Plot no. - 76-/1, Sector A Industrial Area
Govindpura Bhopal (M.P). Pin -462023

t: +91- 7010430133.

e: sales@kumaranindustries.com

w: www.kumaranindustries.com

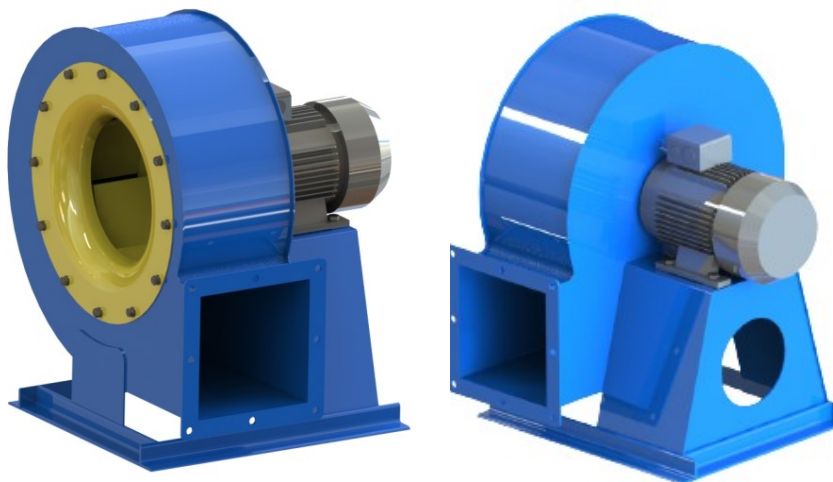
Centrifugal Fan KI-BC-405-HDD2-A

Single Inlet Fan

General Characteristic



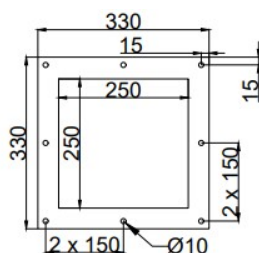
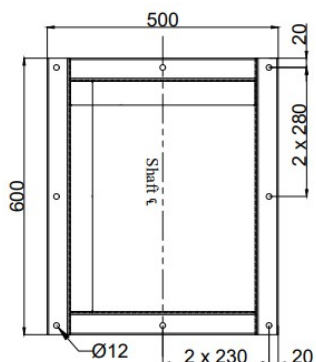
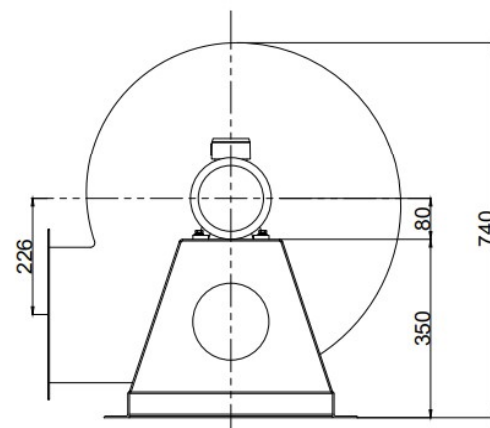
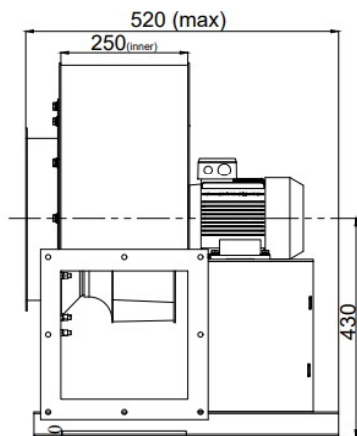
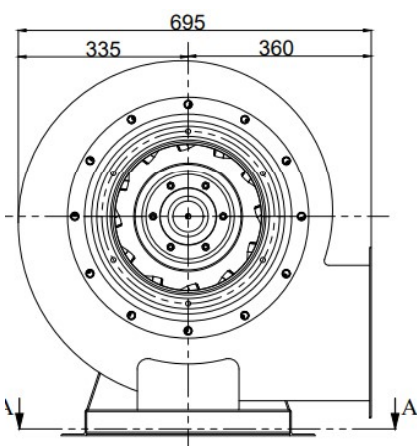
KUMARAN ENGINEERING BHOPAL PVT. LTD.



Nominal supply:	3P ,415V , 50Hz
Motor type:	TEFC 50Hz , IP55 as Std , Insulation class F , S1 Duty.
Accessories:	Inlet & discharge mesh, Inlet Filters,
Materials:	Fan case: Mild steel Impellers: Steel , Stainless steel ,Aluminum.
Finish:	Powder Coat , Epoxy Paint
Mounting options:	Foot mounted
Noise Levels:	84 dB(A) Free Air, 1M
Motor Variations:	Other voltage and frequency available on order.
Balancing:	G6.3 as per ISO:1940.

Outline Dimensions:

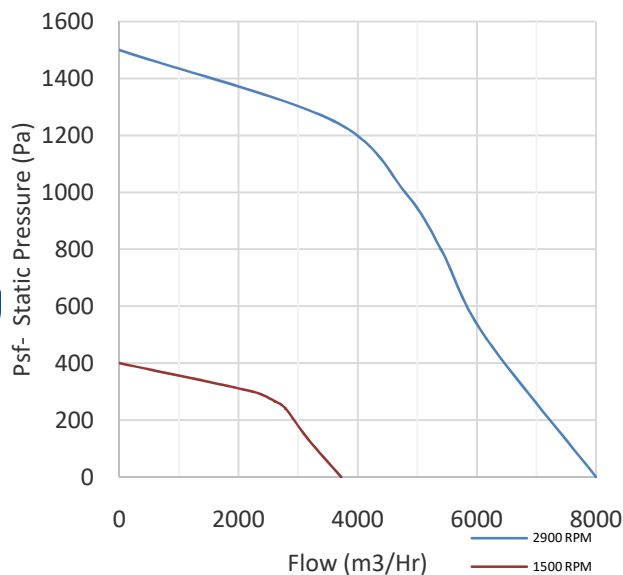
[Note: Motor shown is for 50Hz Performance, Motor dimensions for 60Hz operation may vary]



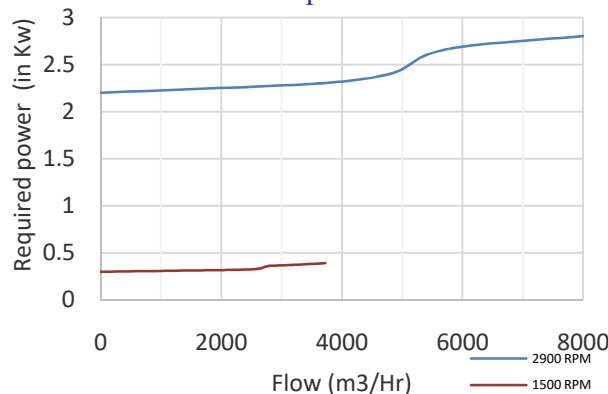
Foundation Plan

Outlet Flange

Flow vs Static Pressure



Flow vs Required Power



Please note:

- 1 - All drawing measurements are in millimeters (mm).
- 2 - Above technical specifications are subject to change.
- 3 - Images used may not be representative of the fan supplied.

KUMARAN ENGINEERING BHOPAL PVT. LTD.

Plot no. - 76-/1, Sector A Industrial Area
Govindpura Bhopal (M.P). Pin -462023

t: +91- 7010430133.

e: sales@kumaranindustries.com

w: www.kumaranindustries.com

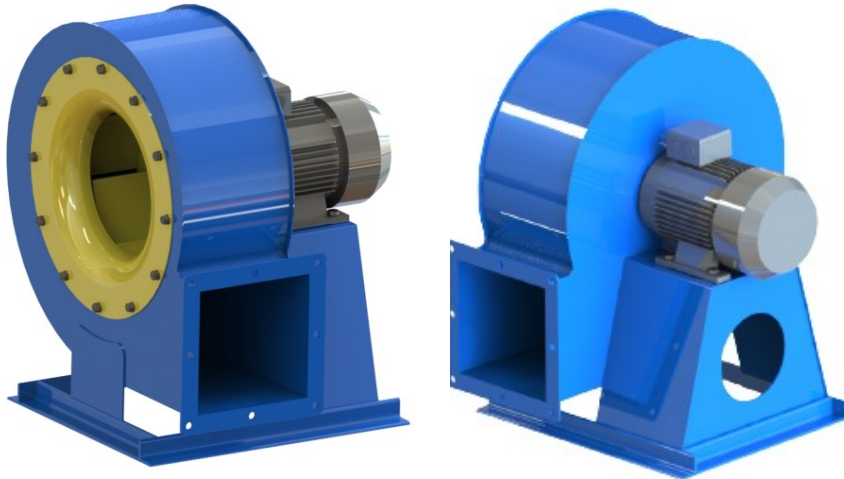
Centrifugal Fan KI-BC-450-HDD2-A

Single Inlet Fan

General Characteristic



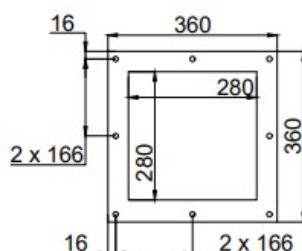
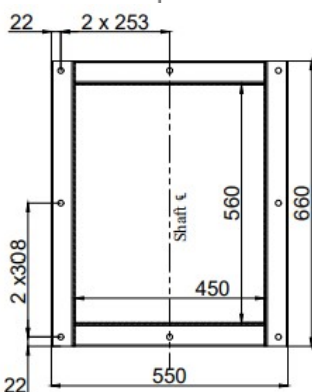
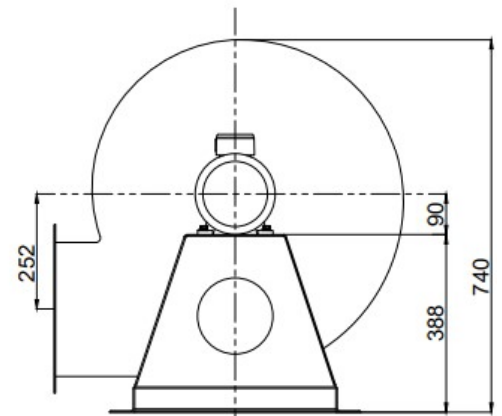
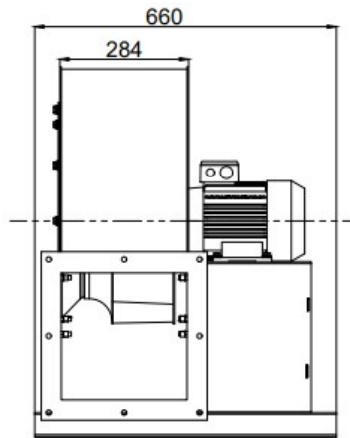
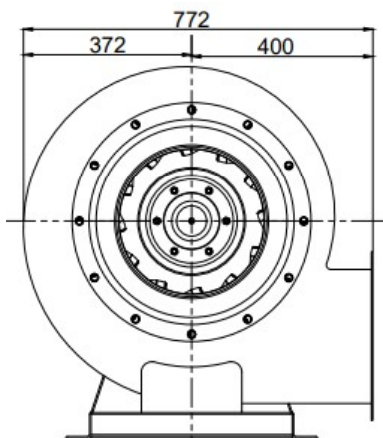
KUMARAN ENGINEERING BHOPAL PVT. LTD.



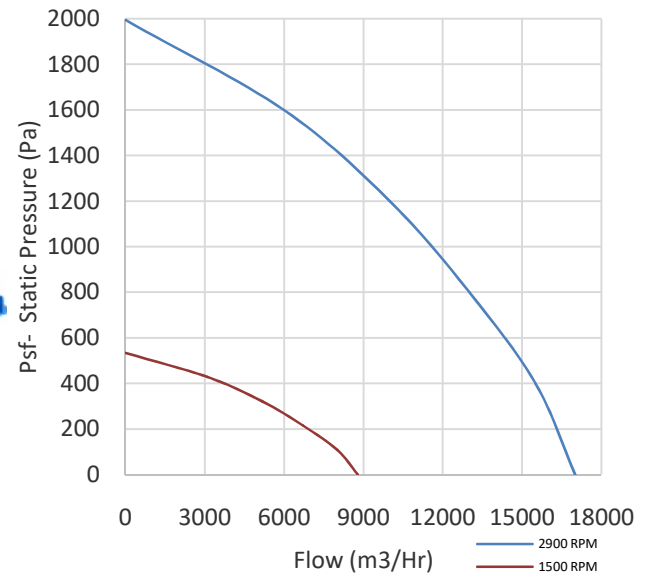
Nominal supply:	3P, 415V, 50Hz
Motor type:	TEFC 50Hz, IP55 as Std, Insulation class F, S1 Duty.
Accessories:	Inlet & discharge mesh, Inlet Filters,
Materials:	Fan case: Mild steel Impellers: Steel, Stainless steel, Aluminum.
Finish:	Powder Coat, Epoxy Paint
Mounting options:	Foot mounted
Noise Levels:	84 dB(A) Free Air, 1M
Motor Variations:	Other voltage and frequency available on order.
Balancing:	G6.3 as per ISO:1940.

Outline Dimensions:

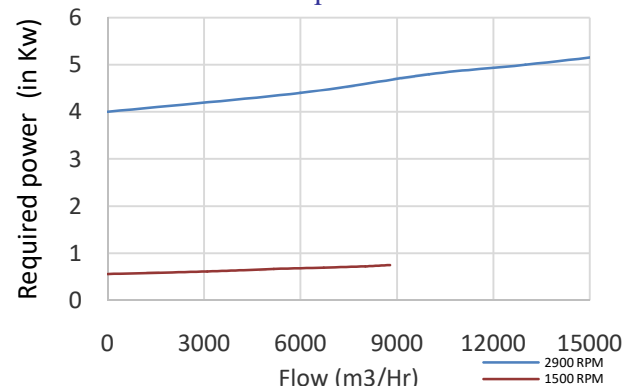
[Note: Motor shown is for 50Hz Performance, Motor dimensions for 60Hz operation may vary]



Flow vs Static Pressure



Flow vs Required Power



Please note:

- 1 - All drawing measurements are in millimeters (mm).
- 2 - Above technical specifications are subject to change.
- 3 - Images used may not be representative of the fan supplied.

KUMARAN ENGINEERING BHOPAL PVT. LTD.

Plot no. - 76-/1, Sector A Industrial Area
Govindpura Bhopal (M.P). Pin -462023

t: +91- 7010430133.

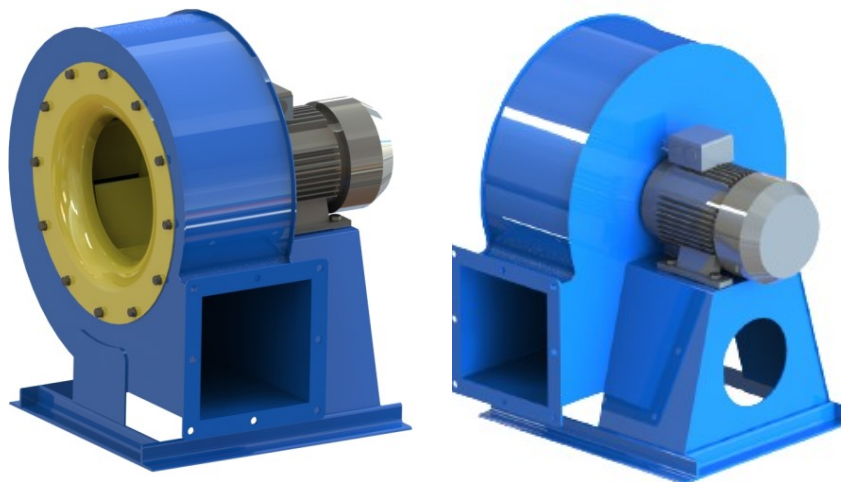
e: sales@kumaranindustries.com

w: www.kumaranindustries.com

Centrifugal Fan KI-BC-500-HDD2-A

Single Inlet Fan

General Characteristic

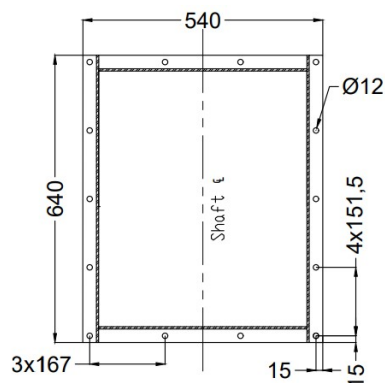
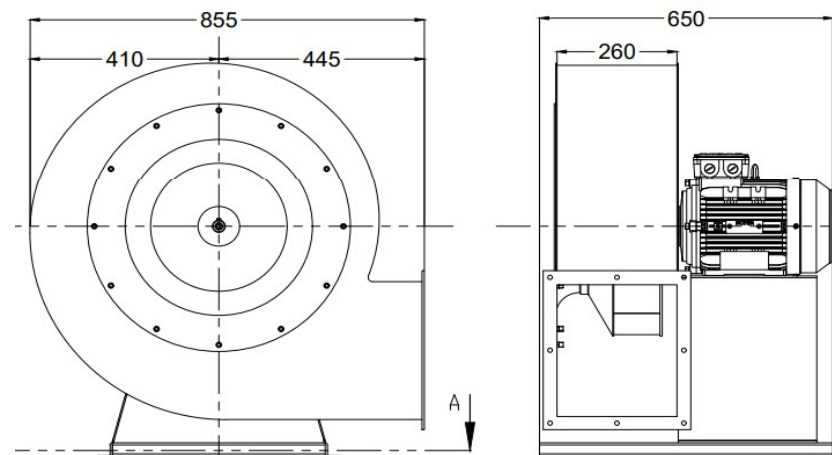


KUMARAN ENGINEERING BHOPAL PVT. LTD.

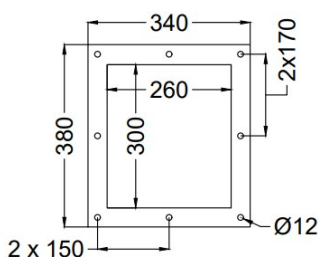
Nominal supply:	3P ,415V , 50Hz
Motor type:	TEFC 50Hz , IP55 as Std , Insulation class F , S1 Duty.
Accessories:	Inlet & discharge mesh, Inlet Filters,
Materials:	Fan case: Mild steel Impellers: Steel , Stainless steel ,Aluminum.
Finish:	Powder Coat , Epoxy Paint
Mounting options:	Foot mounted
Noise Levels:	84 dB(A) Free Air, 1M
Motor Variations:	Other voltage and frequency available on order.
Balancing:	G6.3 as per ISO:1940.

Outline Dimensions:

[Note: Motor shown is for 50Hz Performance, Motor dimensions for 60Hz operation may vary]

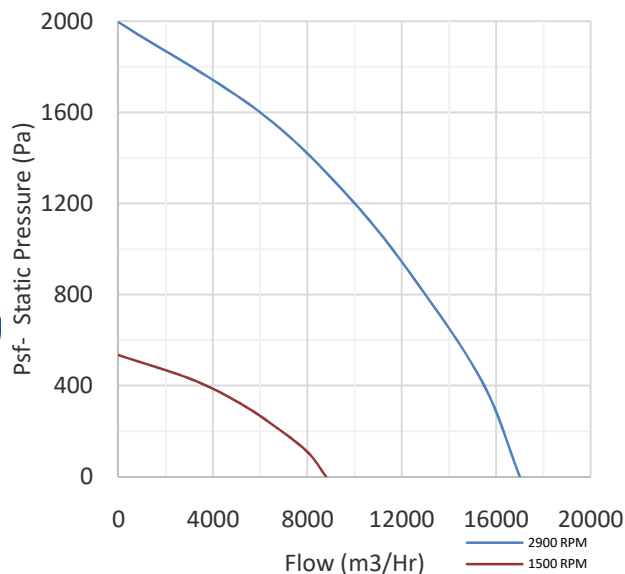


Foundation Plan

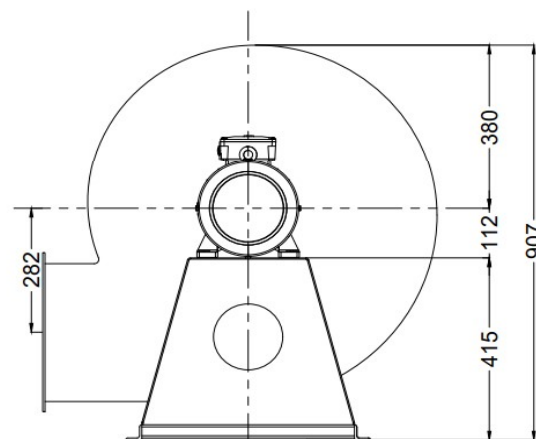
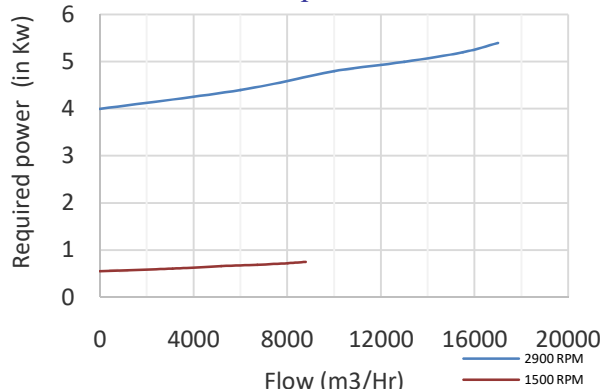


Outlet Flange

Flow vs Static Pressure



Flow vs Required Power



Please note:

- 1 - All drawing measurements are in millimeters (mm).
- 2 - Above technical specifications are subject to change.
- 3 - Images used may not be representative of the fan supplied.

KUMARAN ENGINEERING BHOPAL PVT. LTD.

Plot no. - 76-/1, Sector A Industrial Area
Govindpura Bhopal (M.P). Pin -462023

t: +91- 7010430133.

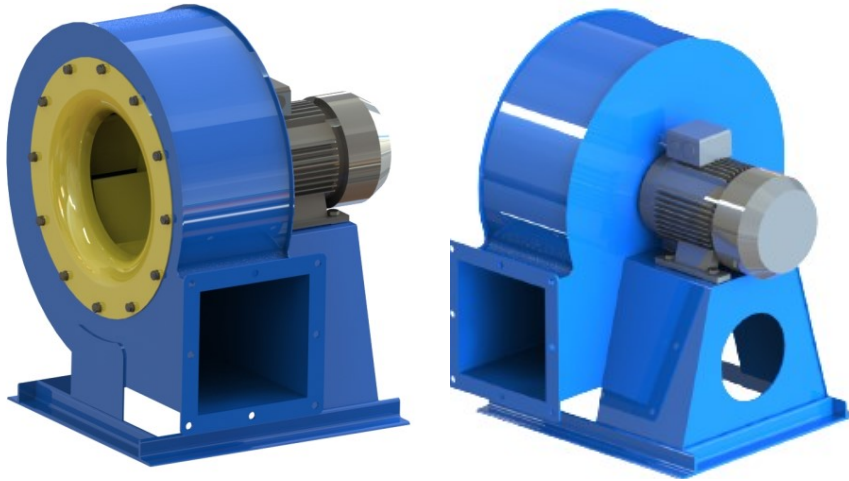
e: sales@kumaranindustries.com

w: www.kumaranindustries.com

Centrifugal Fan KI-BC-635-HDD2-A

Single Inlet Fan

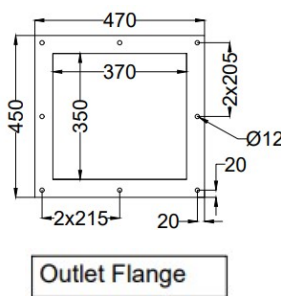
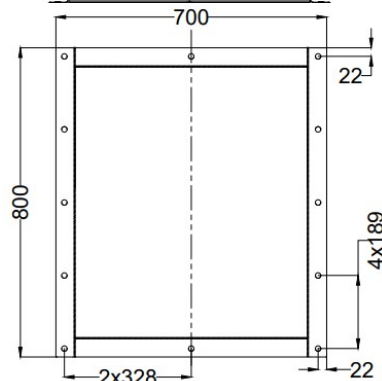
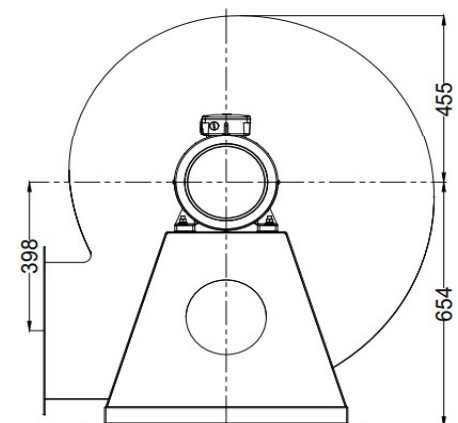
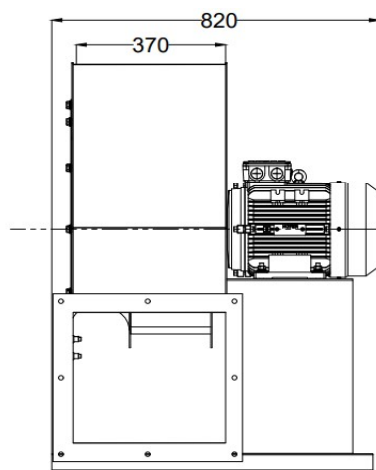
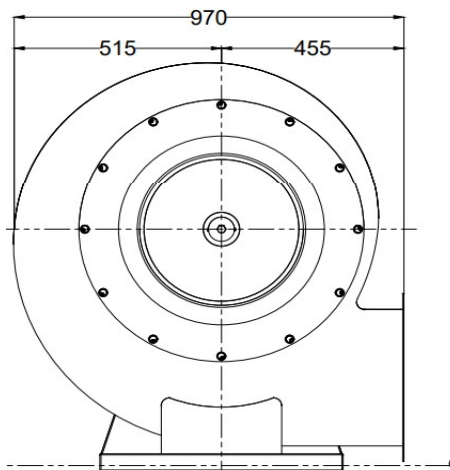
General Characteristic



Nominal supply:	3P, 415V, 50Hz
Motor type:	TEFC 50Hz, IP55 as Std, Insulation class F, S1 Duty.
Accessories:	Inlet & discharge mesh, Inlet Filters,
Materials:	Fan case: Mild steel Impellers: Steel, Stainless steel, Aluminum.
Finish:	Powder Coat, Epoxy Paint
Mounting options:	Foot mounted
Noise Levels:	84 dB(A) Free Air, 1M
Motor Variations:	Other voltage and frequency available on order.
Balancing:	G6.3 as per ISO:1940.

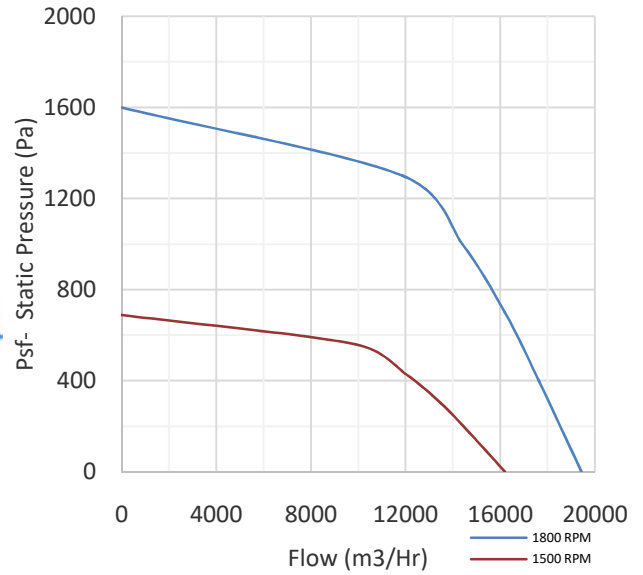
Outline Dimensions:

[Note: Motor shown is for 50Hz Performance, Motor dimensions for 60Hz operation may vary]

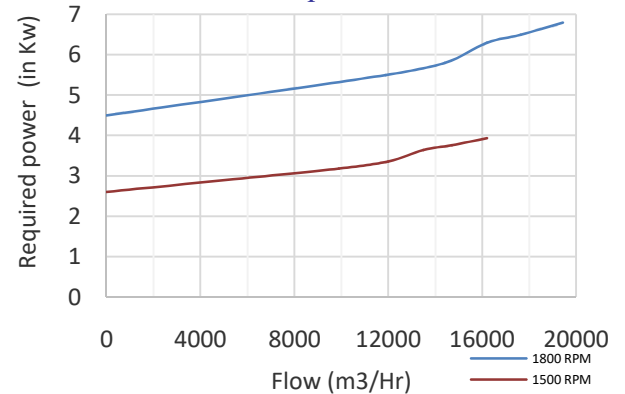


KUMARAN ENGINEERING BHOPAL PVT. LTD.

Flow vs Static Pressure



Flow vs Required Power



Please note:

- 1 - All drawing measurements are in millimeters (mm).
- 2 - Above technical specifications are subject to change.
- 3 - Images used may not be representative of the fan supplied.

KUMARAN ENGINEERING BHOPAL PVT. LTD.

Plot no. - 76-1, Sector A Industrial Area
Govindpura Bhopal (M.P.) Pin -462023

t: +91- 7010430133.

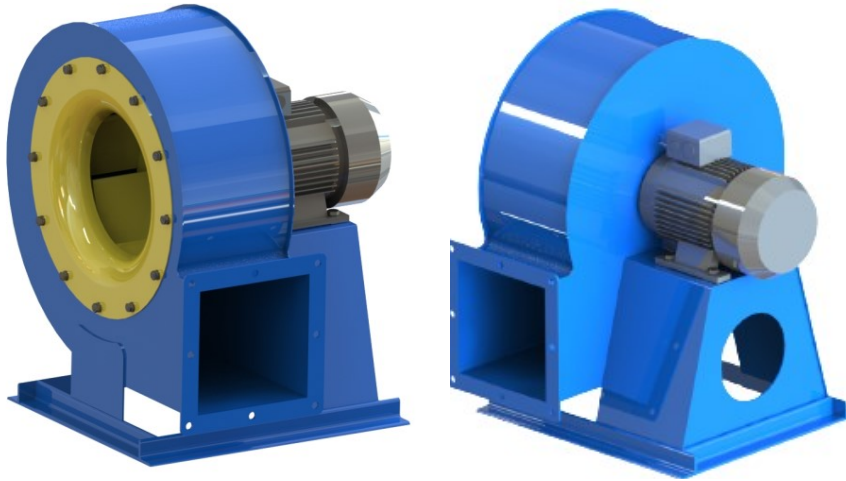
e: sales@kumaranindustries.com

w: www.kumaranindustries.com

Centrifugal Fan KI-BC-715-HDD2-A

Single Inlet Fan

General Characteristic

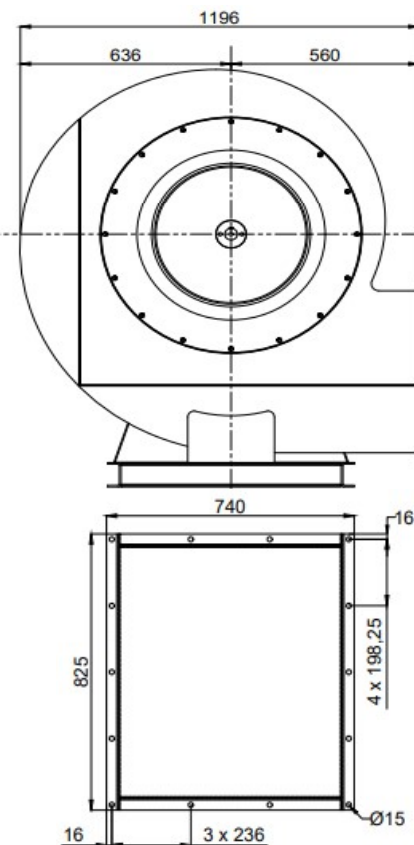
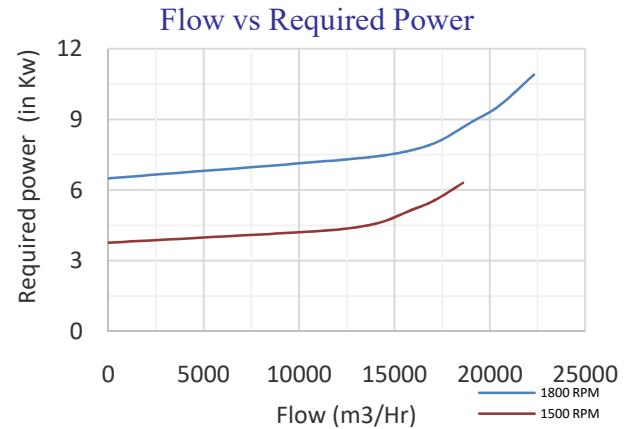
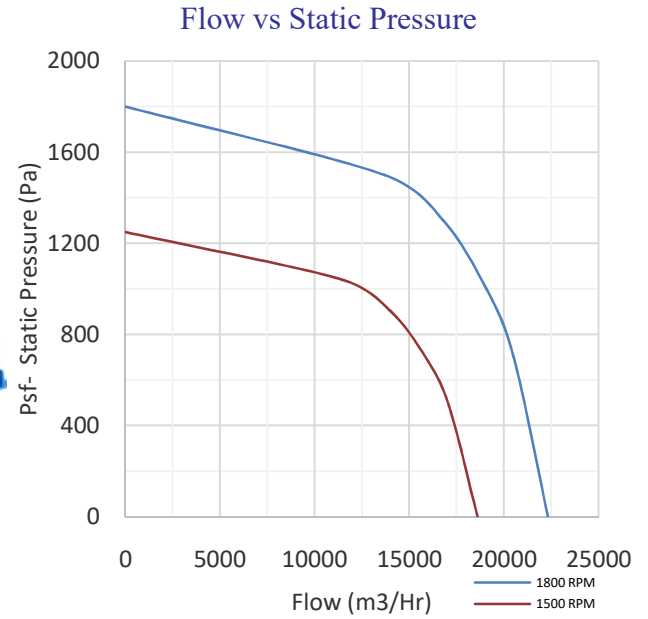


KUMARAN ENGINEERING BHOPAL PVT. LTD.

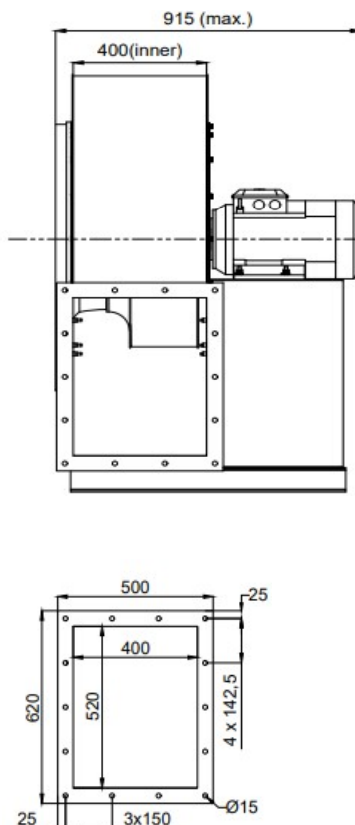
Nominal supply:	3P ,415V , 50Hz
Motor type:	TEFC 50Hz , IP55 as Std , Insulation class F , S1 Duty.
Accessories:	Inlet & discharge mesh, Inlet Filters,
Materials:	Fan case: Mild steel Impellers: Steel , Stainless steel ,Aluminum.
Finish:	Powder Coat , Epoxy Paint
Mounting options:	Foot mounted
Noise Levels:	84 dB(A) Free Air, 1M
Motor Variations:	Other voltage and frequency available on order.
Balancing:	G6.3 as per ISO:1940.

Outline Dimensions:

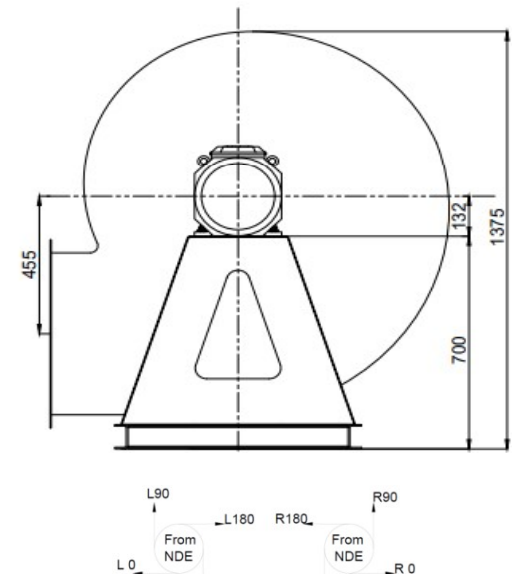
[Note: Motor shown is for 50Hz Performance, Motor dimensions for 60Hz operation may vary]



Foundation Plan



Outlet Flange



Please note:

- 1 - All drawing measurements are in millimeters (mm).
- 2 - Above technical specifications are subject to change.
- 3 - Images used may not be representative of the fan supplied.

KUMARAN ENGINEERING BHOPAL PVT. LTD.

Plot no. - 76-/1, Sector A Industrial Area
Govindpura Bhopal (M.P). Pin -462023

t: +91- 7010430133.

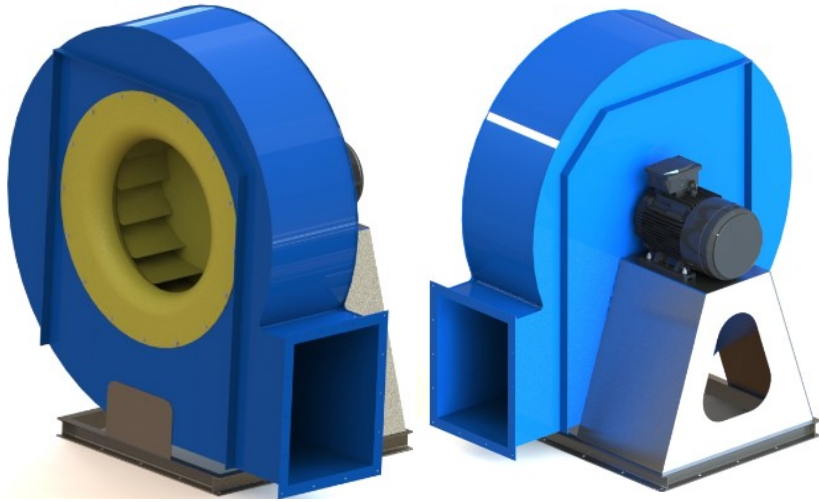
e: sales@kumaranindustries.com

w: www.kumaranindustries.com

Centrifugal Fan KI-BC-910-HDD2-A

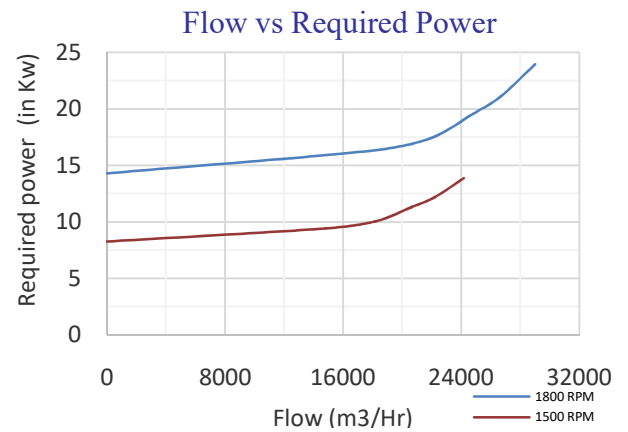
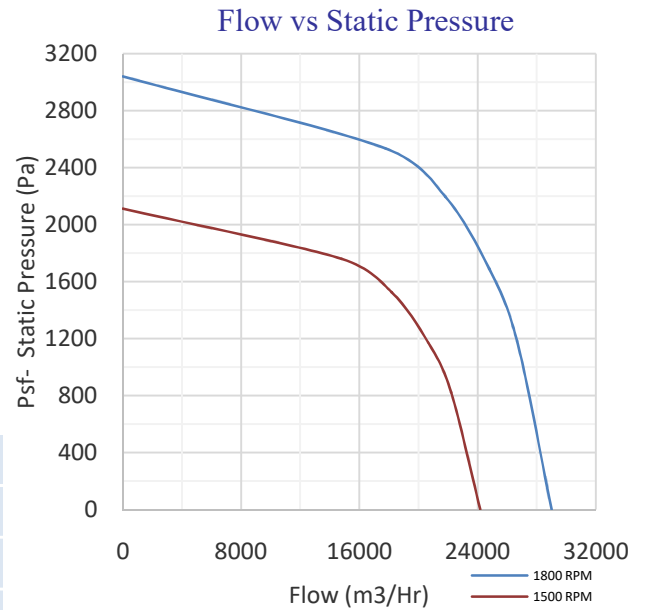
Single Inlet Fan

General Characteristic



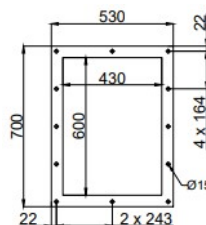
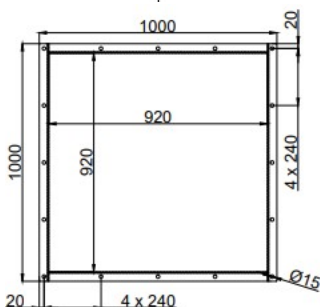
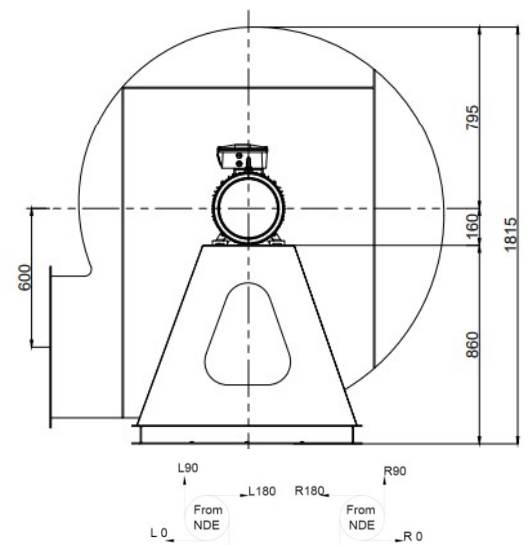
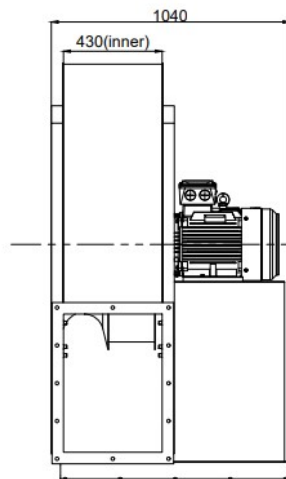
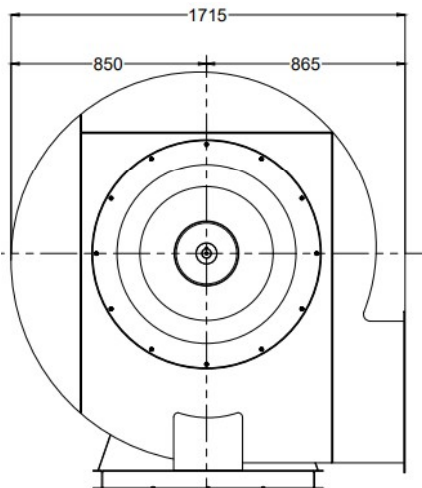
KUMARAN ENGINEERING BHOPAL PVT. LTD.

Nominal supply:	3P ,415V , 50Hz
Motor type:	TEFC 50Hz , IP55 as Std , Insulation class F , S1 Duty.
Accessories:	Inlet & discharge mesh, Inlet Filters,
Materials:	Fan case: Mild steel Impellers: Steel , Stainless steel ,Aluminum.
Finish:	Powder Coat , Epoxy Paint
Mounting options:	Foot mounted
Noise Levels:	84 dB(A) Free Air, 1M
Motor Variations:	Other voltage and frequency available on order.
Balancing:	G6.3 as per ISO:1940.



Outline Dimensions:

[Note: Motor shown is for 50Hz Performance, Motor dimensions for 60Hz operation may vary]



Foundation Plan

Outlet Flange

Please note:

- 1 - All drawing measurements are in millimeters (mm).
- 2 - Above technical specifications are subject to change.
- 3 - Images used may not be representative of the fan supplied.

KUMARAN ENGINEERING BHOPAL PVT. LTD.

Plot no. - 76-/1, Sector A Industrial Area
Govindpura Bhopal (M.P). Pin -462023

t: +91- 7010430133.

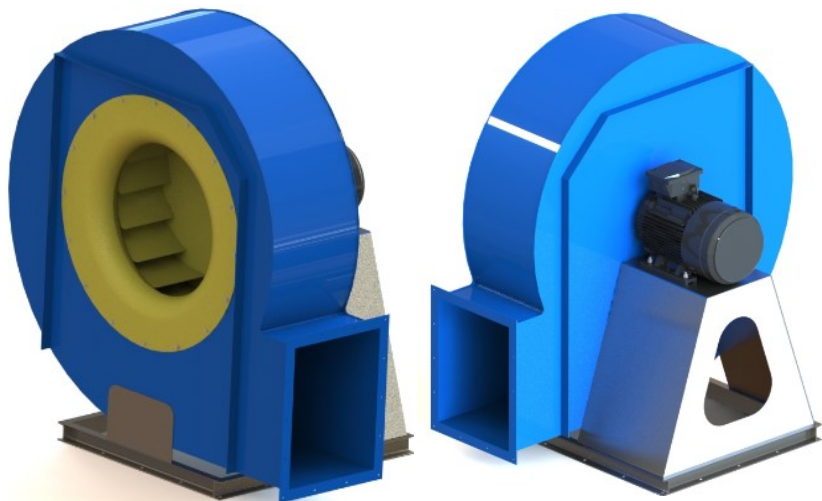
e: sales@kumaranindustries.com

w: www.kumaranindustries.com

Centrifugal Fan KI-BC-1000-HDD2-A

Single Inlet Fan

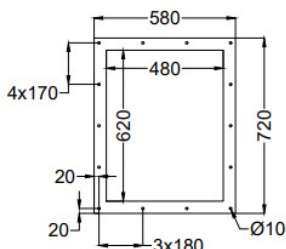
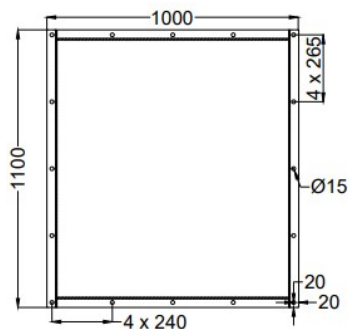
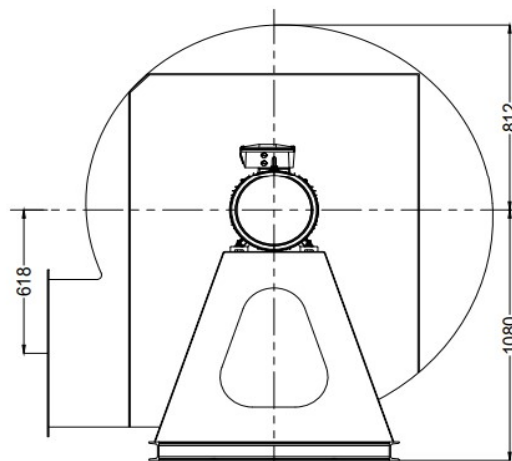
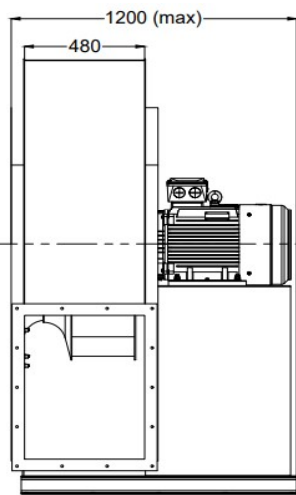
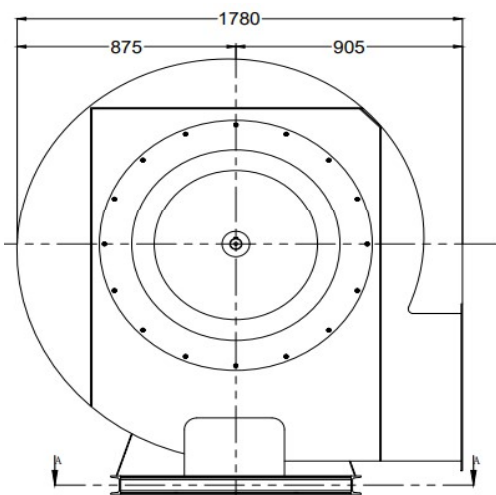
General Characteristic



Nominal supply:	3P, 415V, 50Hz
Motor type:	TEFC 50Hz, IP55 as Std, Insulation class F, S1 Duty.
Accessories:	Inlet & discharge mesh, Inlet Filters,
Materials:	Fan case: Mild steel Impellers: Steel, Stainless steel, Aluminum.
Finish:	Powder Coat, Epoxy Paint
Mounting options:	Foot mounted
Noise Levels:	84 dB(A) Free Air, 1M
Motor Variations:	Other voltage and frequency available on order.
Balancing:	G6.3 as per ISO:1940.

Outline Dimensions:

[Note: Motor shown is for 50Hz Performance, Motor dimensions for 60Hz operation may vary]



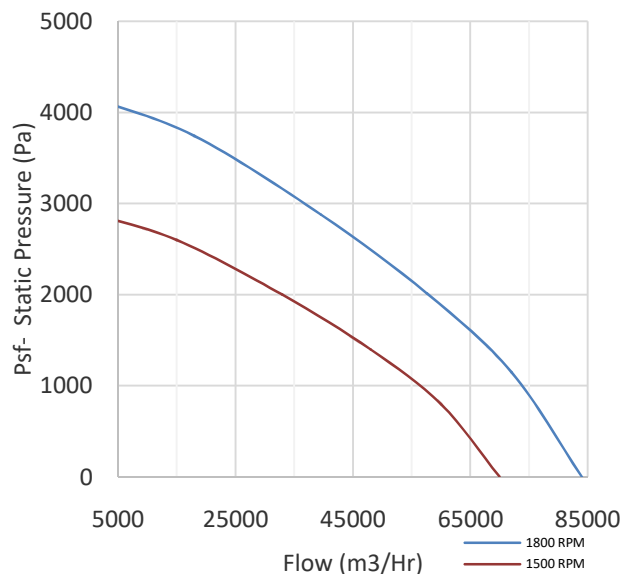
Foundation Plan

Outlet Flange

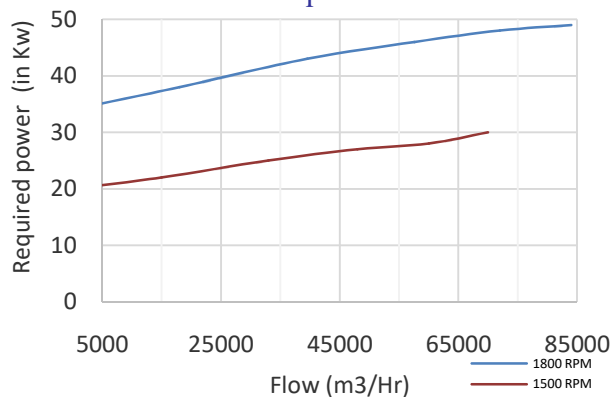


KUMARAN ENGINEERING BHOPAL PVT. LTD.

Flow vs Static Pressure



Flow vs Required Power



Please note:

- 1 - All drawing measurements are in millimeters (mm).
- 2 - Above technical specifications are subject to change.
- 3 - Images used may not be representative of the fan supplied.

KUMARAN ENGINEERING BHOPAL PVT. LTD.

Plot no. - 76-/1, Sector A Industrial Area
Govindpura Bhopal (M.P). Pin -462023

t: +91- 7010430133.

e: sales@kumaranindustries.com

w: www.kumaranindustries.com